



IDEALFORM PLUS+ RECTANGULAR

Installation Instructions

Please pass on to user



IDEALFORM PLUS+ RECTANGULAR

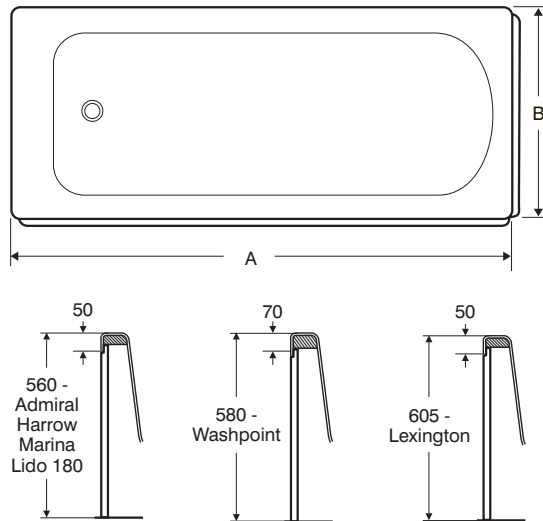


Figure 1

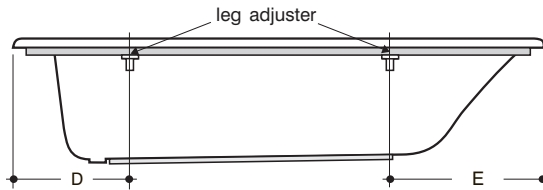


Figure 2 Centres of leg adjusters

All dimensions shown in millimetres.
 Dimensions shown may vary within permitted tolerances.

	A	B	D	E	Tap Holes
Admiral	1675	690	420	490	0
Harrow 170	1695	695	420	490	0
Harrow 150	1495	695	420	490	0
Marina 170	1695	695	420	490	0
Marina 180	1795	695	420	490	0
Washpoint	1695	745	420	490	0
Lido 180	1795	795	420	490	0
Lexington	1795	795	490	490	0

IDEALFORM PLUS+ RECTANGULAR

BATH CONDITION

Before commencing installation, carefully remove packaging/protective film and check for damage. If damaged, report immediately to supplier.

Responsibility will not be accepted for damage after installation.

The bath should be fully protected during the installation process.

Fig. 1 illustrates baths fitted with rigid panels. Baths with wooden panel option - see Installation Instructions supplied.

Appropriate safety equipment/workwear should be used

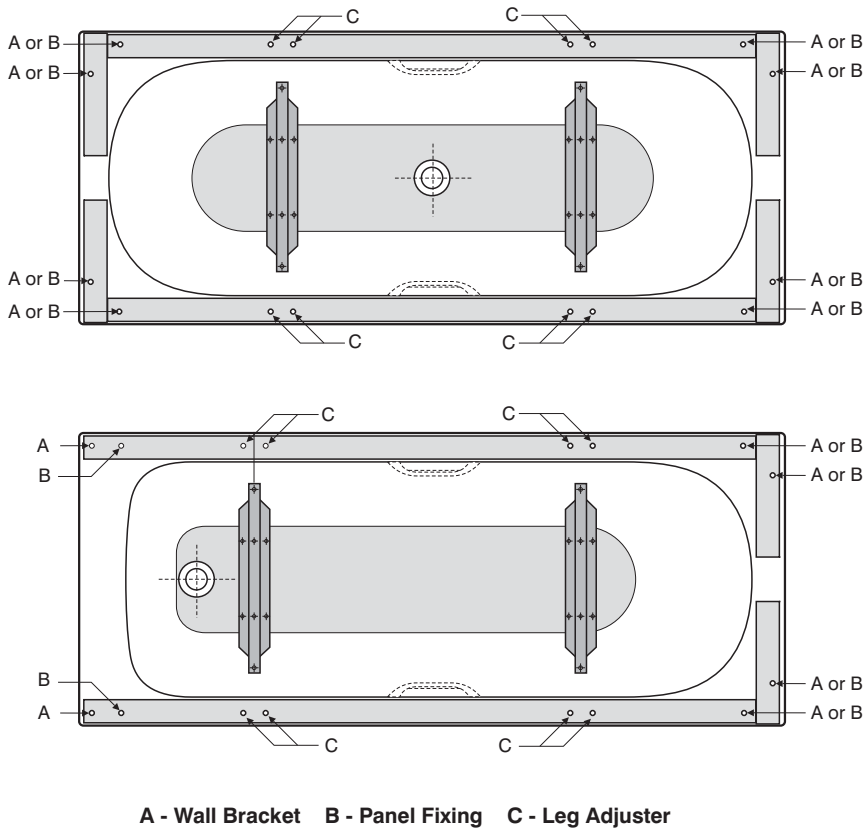


Figure 3

IDEALFORM PLUS+ RECTANGULAR

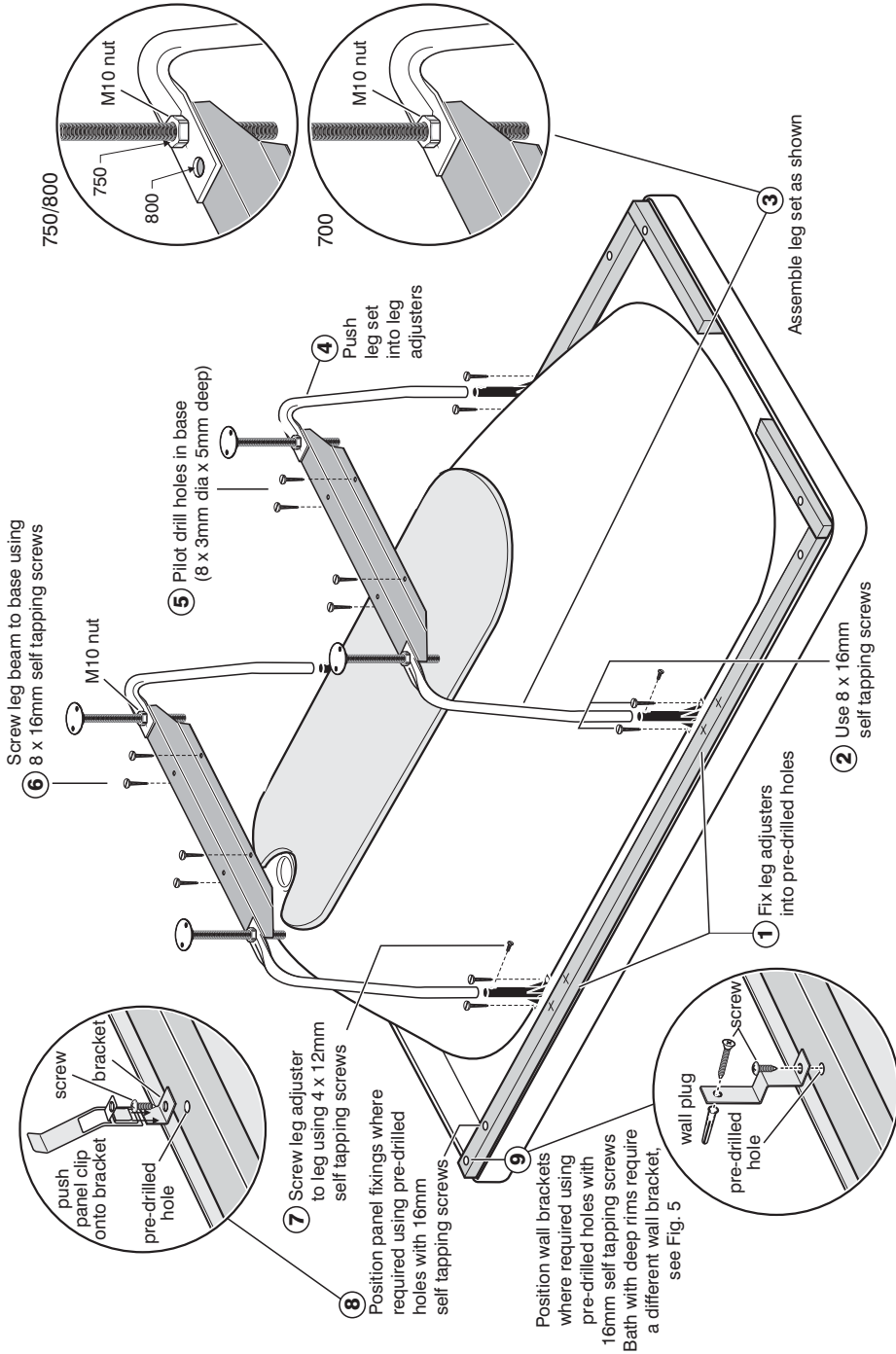


Figure 4

IDEALFORM PLUS+ RECTANGULAR

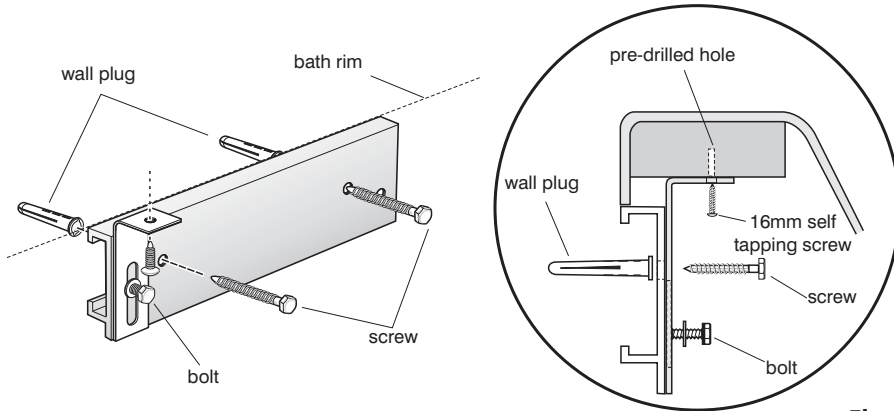


Figure 5

FIT SUPPLY AND WASTE FITTINGS.

1. If the bath is to be installed with a monoblock mixer a special hole (or holes) is required to accommodate the mixer and will have to be cut by the installer in an appropriate position on the rim of a no tap hole bath to suit the bathroom layout. Full details or a template for cutting the hole (or holes) is supplied with monoblock fittings. A template for cutting two tap holes in a no tap hole bath is supplied with the bath. Cut tap holes, and fit supply fittings, waste, overflow and trap. When using a monoblock fitting, the area directly behind the pop-up waste mechanism should be avoided.
2. Fit hand grips (where supplied), see Figure 6.
3. Place bath in position and set to correct height, see Figure 1. Fix bath to wall. Fix bath to floor ensuring that all nuts are tight.
4. Connect services, test for satisfactory operation of fittings and ensure there are no leaks.
5. Tile down to the height of the bath rim leaving a 3-4mm gap for waterproof sealant. An extruded sealing strip can be used for the bath to wall joint as an alternative to waterproof sealant. Protect bath during tiling.

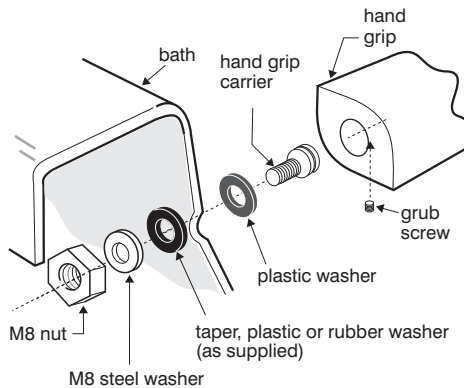


Figure 6

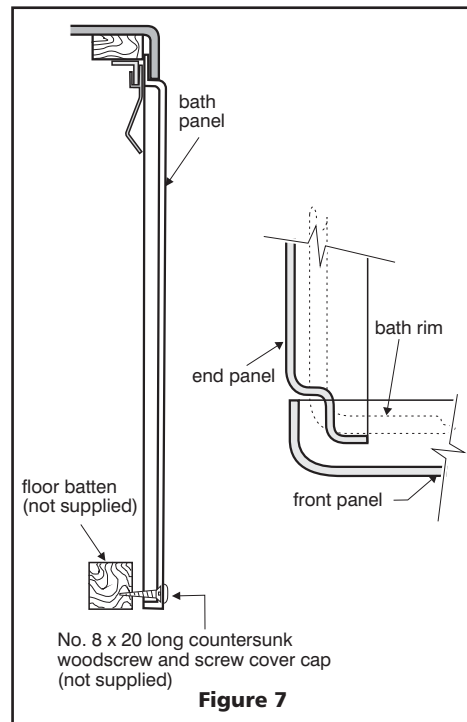
WARNING

**DO NOT fix hand grips
in any oil based
bedding compound
or putty.
These materials contain
solvents which will damage
the hand grips
irreparably.**

IDEALFORM PLUS+ RECTANGULAR

6. FIT PANEL(S)
7. Panels can be reduced in height by cutting a strip from the bottom edge, for heights see Fig. 1. Timber floor battens are not supplied but are necessary to secure the panels. Screw battens to the floor.

Two extra panel clips are supplied with the front panel - the bath is pre-drilled for 2 clips, if more clips are required, fix in same way in desired position.



The Bathroom Works
National Avenue
Kingston upon Hull
HU5 4HS
England
Telephone: (01482) 346461
Telefax: (01482) 445886.

CUSTOMER CARE HELPLINE
0870 1296085
CUSTOMER CARE FAX LINE 01482 499611
email: ukcustcare@IdealStandard.com

We pursue a policy of continuing improvement in design and performance of our products. The right is, therefore, reserved to vary specifications without notice.

Ideal Standard (UK) Ltd.

4662 03/08
EE72533267