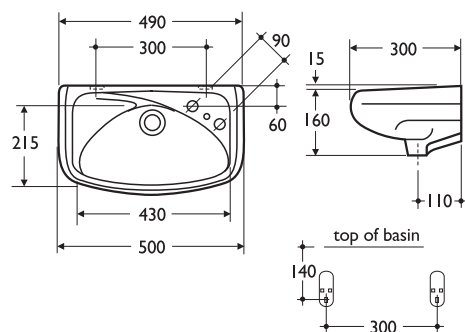


Position basin and pedestal against wall, level if necessary, and mark fixing holes on underside of basin and in base of pedestal. Remove basin, drill and plug holes to take wall and floor fixing screws. Re-position and secure basin/pedestal to wall and floor. Connect supply and waste pipes. It is good practice to fit volume regulators to control the incoming supply and as an aid to servicing.



Assemble supply and waste fittings to basin.

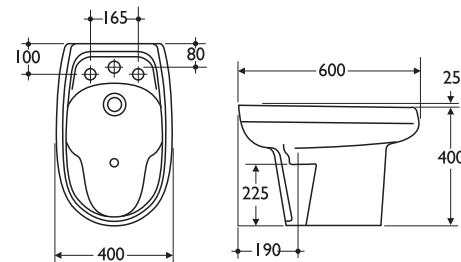
Fit the 7192000 PD concealed hangers to the wall as detailed.

The hangers have a locating slot and two screw fixing holes. To fit basin so that it is level, lightly secure hangers to wall with suitable screws through the locating slots.

Locate the basin on hangers and level as necessary. Mark additional securing holes securing holes at back of waste outlet.

Remove basin and mark fixing holes for hangers. Remove hangers and drill and plug holes. Replace hangers and fully tighten screws. Re-position basin and secure to wall with screws. Connect supply and waste pipes. It is good practice to fit volume regulators to control the incoming supply and as an aid to servicing.

#### CONCEPT BIDET



Assemble supply and waste fittings to bidet following the installation instructions provided with them. Position bidet at least 50mm from wall and mark on floor centres of the fixing holes.

Remove bidet, drill and plug holes to take fixing screws. Re-position and secure bidet to floor.

Complete pipework to supply fittings and waste. It is good practice to fit volume regulators to control the incoming supply and as an aid to servicing.

**CARE** - to clean surfaces use warm soapy water, rinse and wipe dry.

#### CUSTOMER CARE HELPLINE

**0870 1296085**

**FAX LINE 01782 645497**

**email: [ukcustcare@IdealStandard.com](mailto:ukcustcare@IdealStandard.com)**

Armitage Shanks pursues a policy of continuing improvement in design and performance of its products. The right is, therefore, reserved to vary specifications without notice.

Armitage Shanks

Armitage,  
Rugeley,  
Staffordshire,  
England.

WS15 4BT.

Telephone: 01543 490253

Fax: 01543 491677

Ideal Standard (UK) Ltd.

4268 03/08

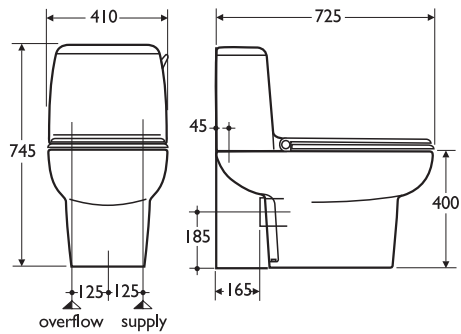
M310200 SC

## CONCEPT WC, BASINS & BIDET

### Installation Instructions

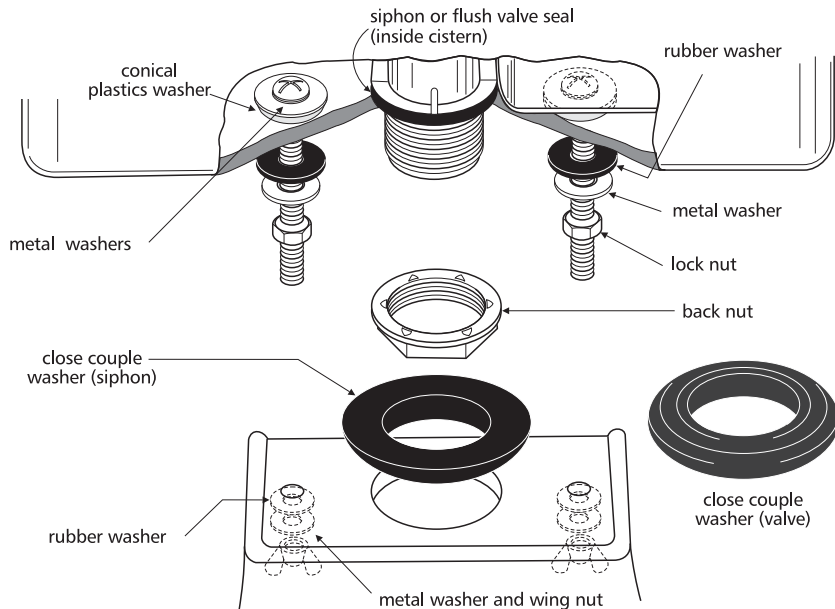
**Please read carefully before commencing any work and in particular take note of any equipment that may be recommended for ease of installation.**

**CONCEPT WC**



**Cistern Assembly**

When fitting syphon or flushvalve and making connections to ballvalve or overflow, use only the washers provided.



**Cistern Lever**

Fit lever using instructions supplied within box.

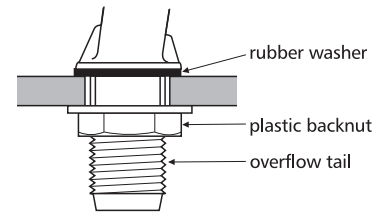
**Bottom Supply and Overflow**

Select correct orifice for ballvalve.

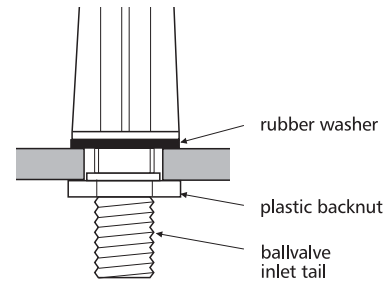
Alternative L.P. Orifice for supply pressures less than 1.35 bar is taped to float arm. Fit ballvalve and overflow as shown, noting correct location of rubber washers and backnuts. Fit float to arm using the plastic knuckle supplied. Position float so that it does not foul on the cistern or syphon, then fully tighten.

Use an Isovalve servicing valve in the supply pipe to minimise filling noise and as an aid to servicing.

The attachment of 'flexi type' tank connectors. PRIOR to the fitting of cistern to wc may be considered advantageous as an aid when connecting pipework to ballvalve and overflow.



**Overflow**



**Supply**

**Fixing Cistern**

Push the large close-coupling sealing washer onto valve/siphon, see Figure 2.

Carefully place the cistern in position on the wc **BEFORE** offering everything into position against the wall, guiding the fixing bolts through the holes in the wc platform.

Push the rubber washers and metal friction washers onto the lower ends of the fixing bolts as shown and screw the wing nuts on evenly. Finger tighten only to secure the cistern to the wc.

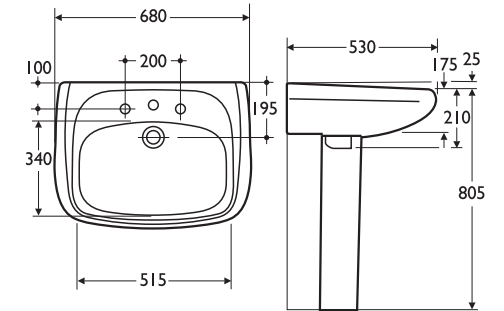
*Note: Holes in back of cistern are **NOT** screw fixing holes and should not be used for fixing.*

**Fixing WC**

The use of cement mortar bedding is not recommended. It is preferable that a plastic outlet connector is used for the connection to the soil pipe. Screw the wc pan to the floor with Domex screws, remembering to locate the plastic covers to finish.

Connect pipework to ballvalve and overflow ensuring all connections are watertight. Adjust the ballvalve adjusting screw to give correct water level and secure by tightening the locknut. Flush the wc and check all connections for leaks.

**CONCEPT WASHBASIN**



Assemble supply fittings to basin following the installation instructions provided with them.

Fit waste body through basin outlet as per the instructions ensuring that the close coupling plate is positioned between backnut and rubber washer. Engage the fixing bolts in the slotted ends of the close coupling plate. Carefully place the basin onto the pedestal guiding the fixing bolts through the holes in the pedestal. Push the rubber washers and metal friction washers onto the lower ends of the fixing bolts as shown and screw the wing nuts on evenly, finger tight only.

Basin and pedestal must be supported when positioning and fixing to ensure that they do not topple over.

