

WALL MOUNTED CLOSET SUITES



Installation Instruction

The Bathroom Works
National Avenue
Kingston upon Hull
HU5 4HS
England
Telephone: (01482) 346461
Telefax: (01482) 445886.

CUSTOMER CARE HELPLINE
0870 1296085

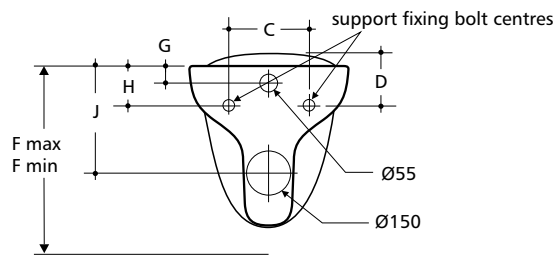
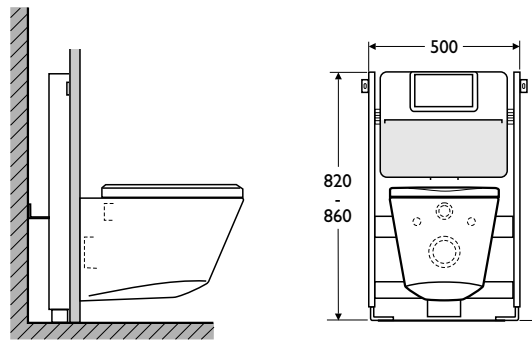
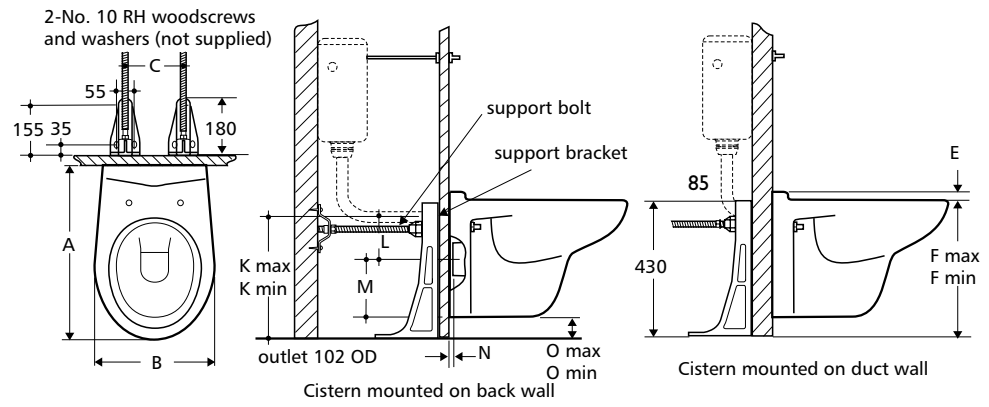
CUSTOMER CARE FAX LINE 01482 499611
email: ukcustcare@IdealStandard.com

We pursue a policy of continuing improvement in design and performance our products.
The right is, therefore, reserved to vary specifications without notice.

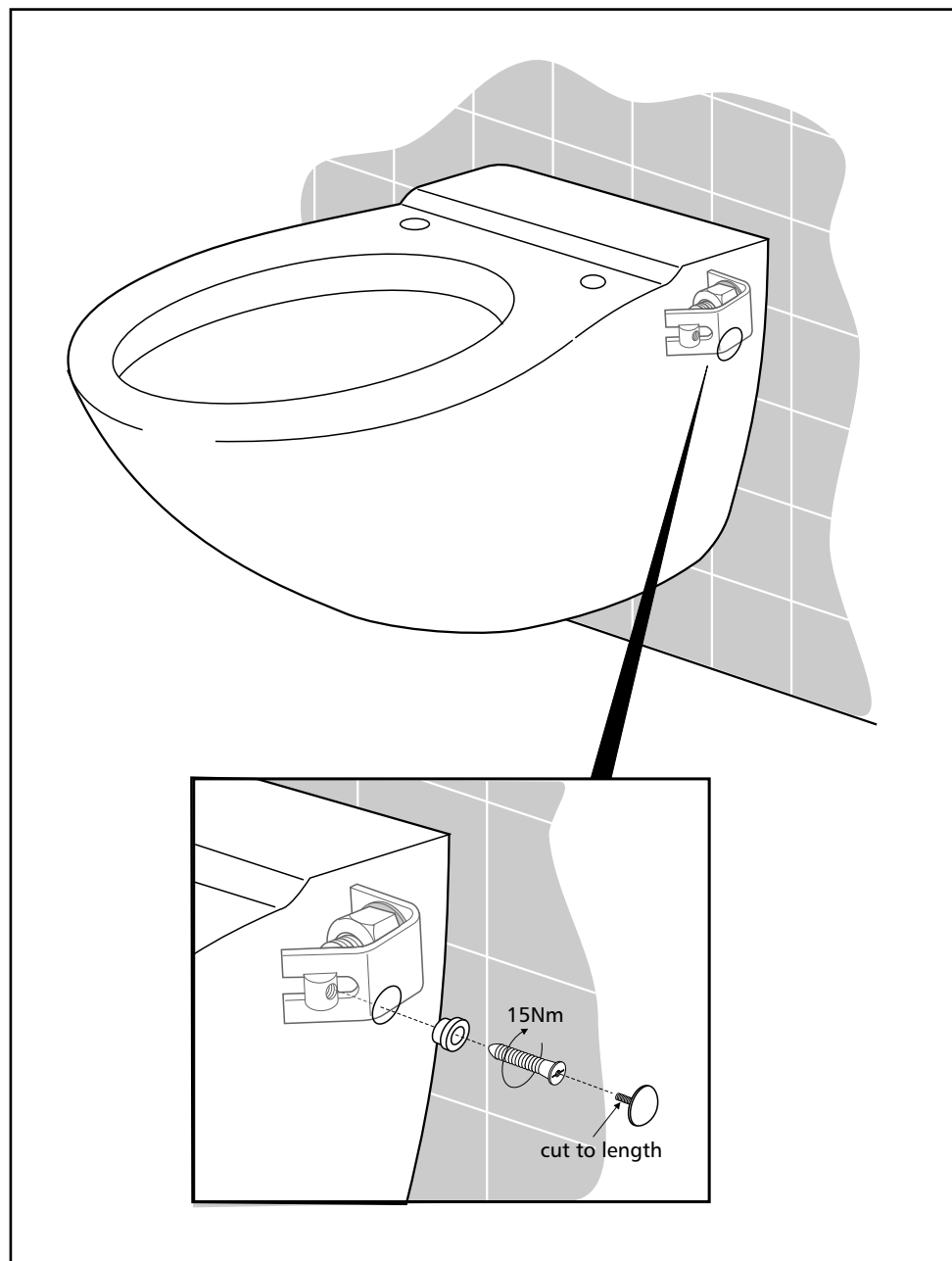
Ideal Standard (UK) Ltd.

4162 11/08

TECHNICAL INFORMATION



All dimensions shown in millimetres.
Dimensions shown may vary within permitted tolerances.



The closet bowls have a horizontal outlet and should be connected to the soil pipe by a purpose made connector. In the event of the duct wall being more than 25mm thick, an extension piece may have to be fitted. For cistern fitting details, please refer to instructions supplied with the cistern

An access panel in the duct or some other form of access should be provided for maintenance purposes.

CLOSET SEAT

It is recommended that fitting the closet seat be the last operation in the bathroom. This will avoid risk of scratching the seat when tiling etc.

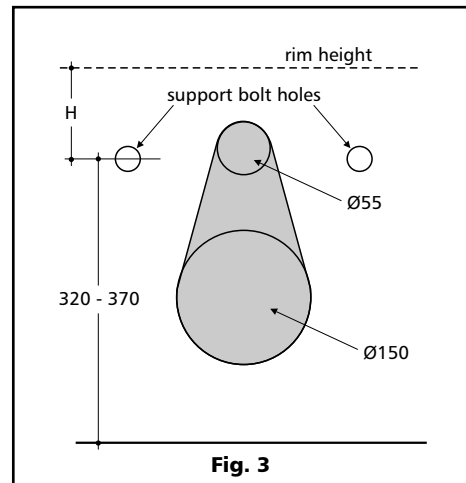
THE SUPPORT BRACKETS are complete with extended support bolts and wall brackets (where supplied) which can be used to secure the support brackets to the back wall (Fig. 5). If the support bolts are not used to fix the support brackets to the back wall they can be reduced in length to suit the installation.

	A	B	C	D	E	F	F	G	H	J	K	K	L	M	N	O	O
						max	min				max	min				max	min
Accent	600	380	230	145	65	450	400	50	80	180	400	350	135	170	35	95	45
Alto	530	360	180	102	22	450	400	45	80	180	405	355	135	170	15	100	50
Braemar	520	365	230	55	20	510	400	35	30	170	480	370	135	195	15	145	35
Concept	540	360	180	80	-	450	400	45	80	180	405	355	135	128	30	112	62
Contour 21																	
std. projection	520	360	180	80	-	510	450	45	80	180	465	405	135	182	20	148	88
Contour 21																	
700 projection	700	360	180	115	35	510	450	45	80	180	465	405	135	185	150	145	85
Contour 21																	
750 projection	750	360	180	115	35	510	450	45	80	180	465	405	135	185	200	145	85
Create/Secrets	540	360	180	80	-	450	400	45	80	180	405	355	135	170	20	100	50
Delineo	515	360	180	80	-	450	400	45	80	180	405	355	135	155	30	115	65
Europa	550	360	180	115	30	455	405	50	80	140	405	355	140	180	20	85	35
Imagine	525	360	180	90	-	460	410	55	90	190	405	355	135	155	55	115	65
Jasper Morrison	565	360	180	80	-	450	400	45	80	178	405	355	133	157	30	115	65
Lagaro	560	380	180	85	-	455	405	50	85	185	405	355	135	155	90	115	65
Melrose	520	365	180	88	8	510	400	50	80	175	460	350	125	185	20	150	40
Moments	575	350	180	110	30	450	400	50	80	180	405	355	130	170	65	100	50
Monaco	530	360	180	115	30	445	395	50	85	180	395	345	135	170	20	100	50
Newson	565	380	180	90	30	490	440	50	120	220	405	355	135	150	55	120	70
Purity	560	360	180	139	48	460	410	55	89	190	405	355	135	165	15	105	55
Sandringham	520	350	180	110	25	515	400	40	85	175	475	360	135	175	20	165	50
Small+	515	370	180	80	-	450	400	45	80	180	355	355	135	170	20	50	50
Space	500	385	180	110	15	470	420	65	95	200	390	340	135	170	90	100	50
Tonic	540	360	180	80	-	450	400	45	80	180	405	355	135	160	15	110	60
Twenty 20	580	410	180	97	18	450	400	45	80	180	405	355	135	160	30	110	60
Ventura	700	360	180	107	27	465	410	45	80	180	420	365	135	173	15	110	55
Washpoint	525	360	180	85	-	450	400	50	85	180	400	350	130	150	30	120	70

INSTALLATION

The wall mounted closet bowl can be installed with the rim height as indicated in Fig. 1. Decide on rim height and mark on wall. Rim height is from 320 to 370mm plus dimension H. Using template provided mark the support bolt hole positions and cut out. Cut away that portion of the duct wall indicated by the shaded portion of the template.

Do not install the cistern at a height lower than stated in cistern instructions otherwise the flushing action may be impaired.



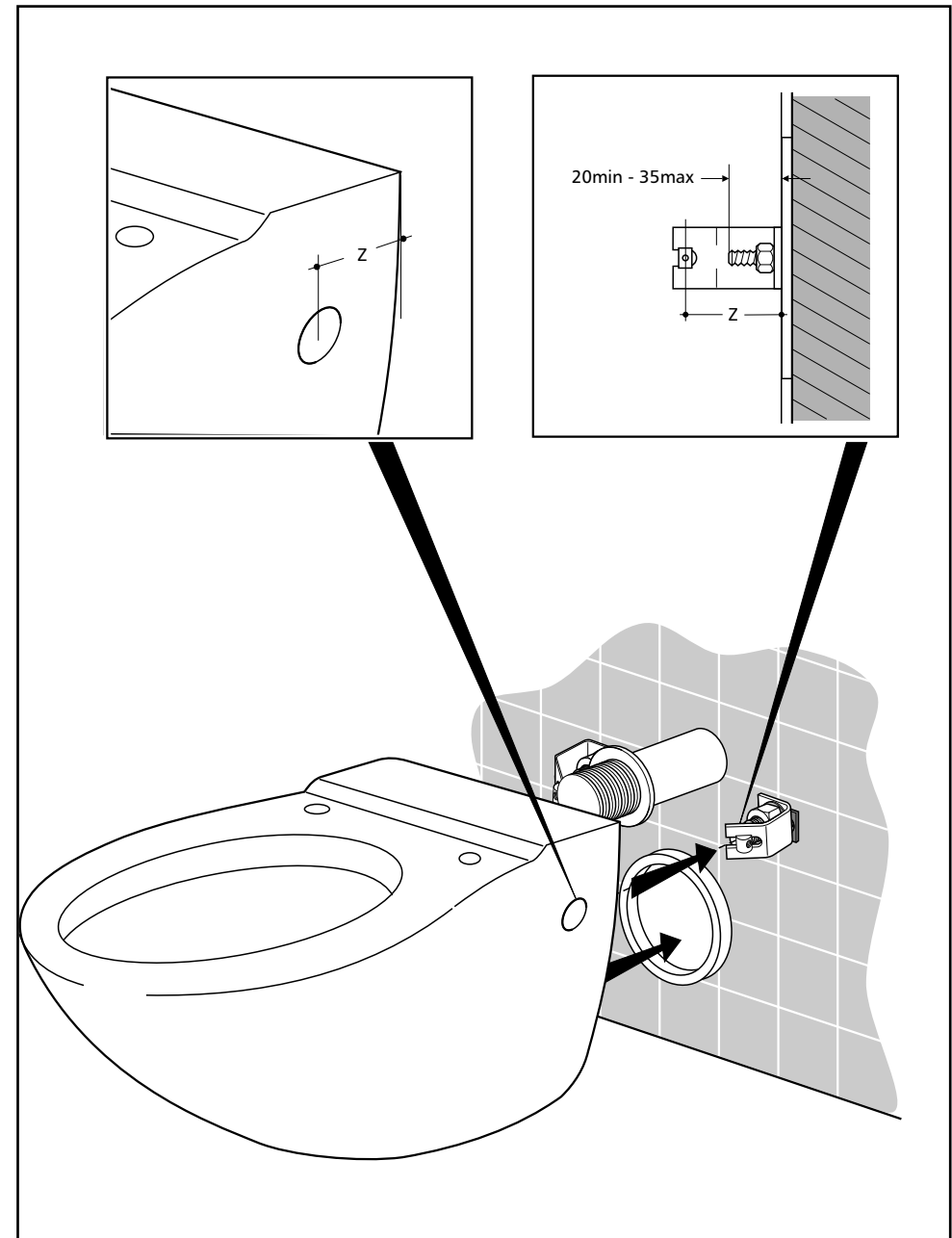
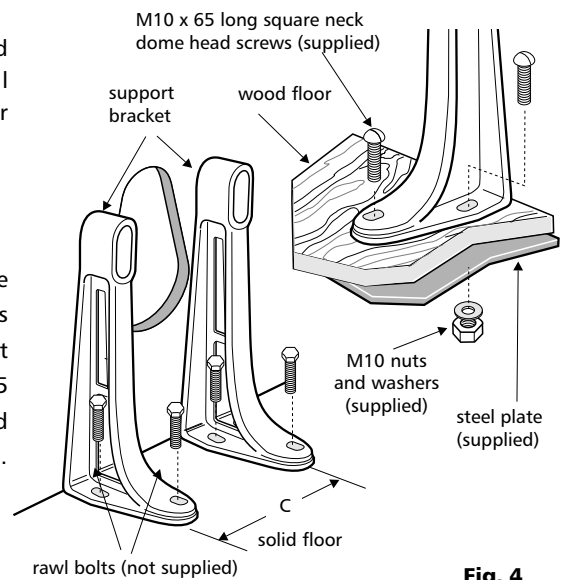
FLOOR SUPPORT BRACKETS

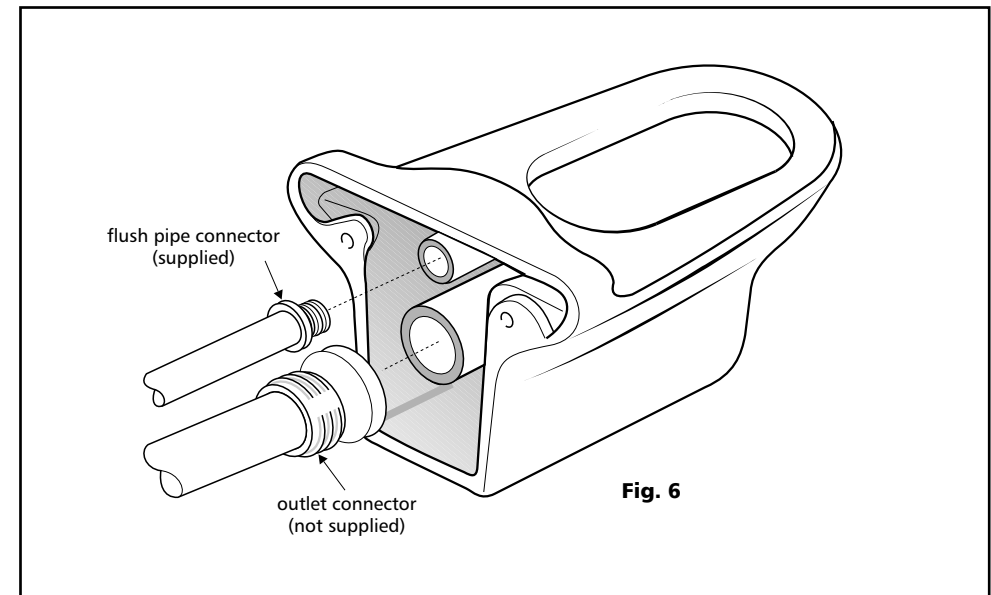
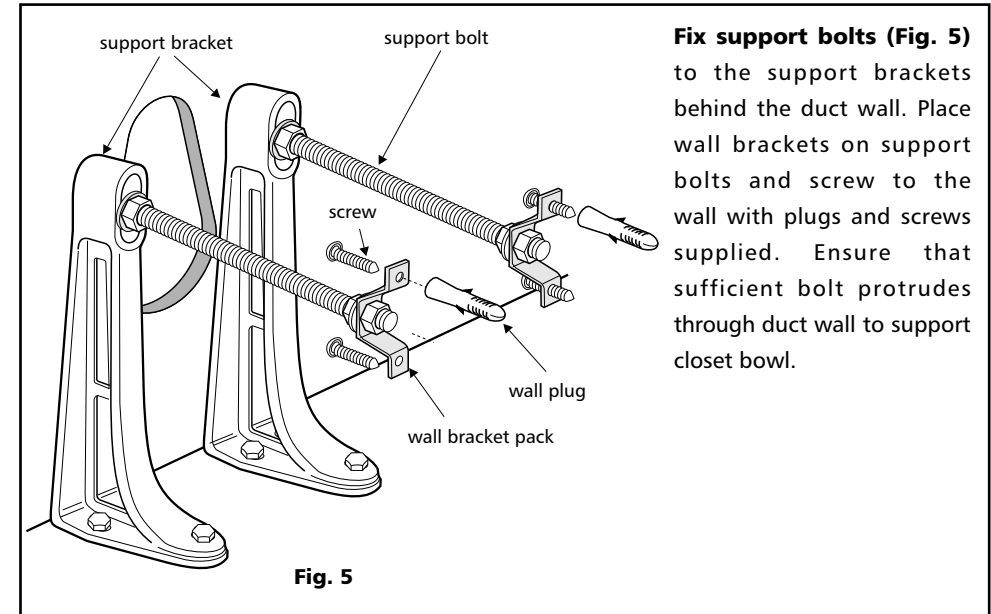
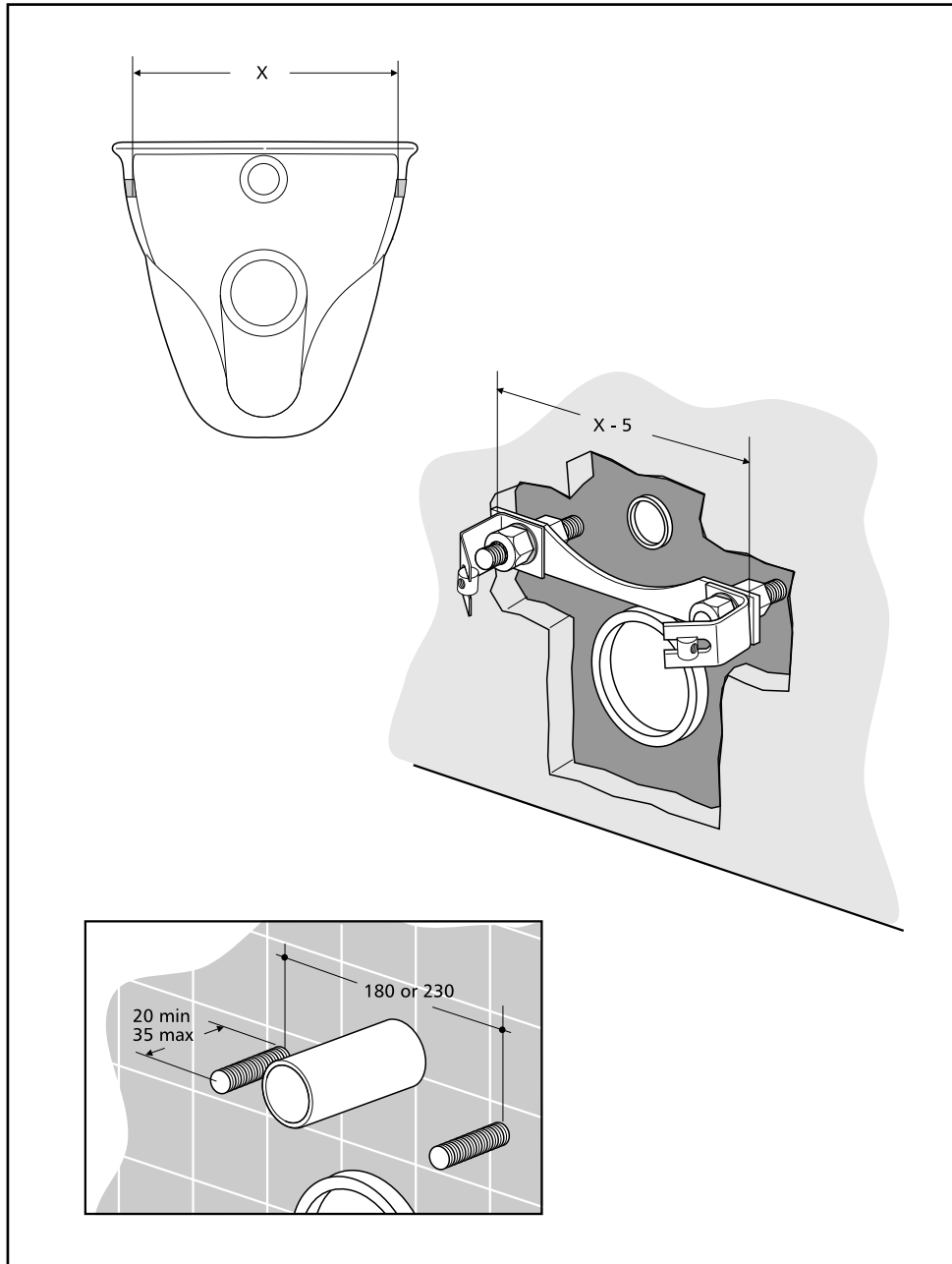
SOLID FLOORS (Fig. 4)

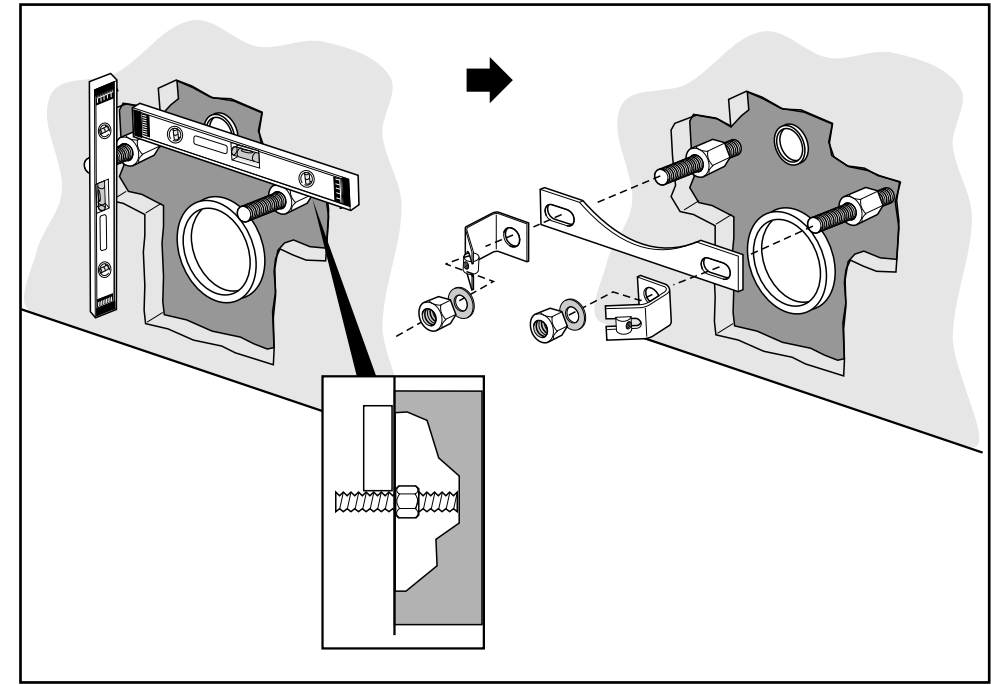
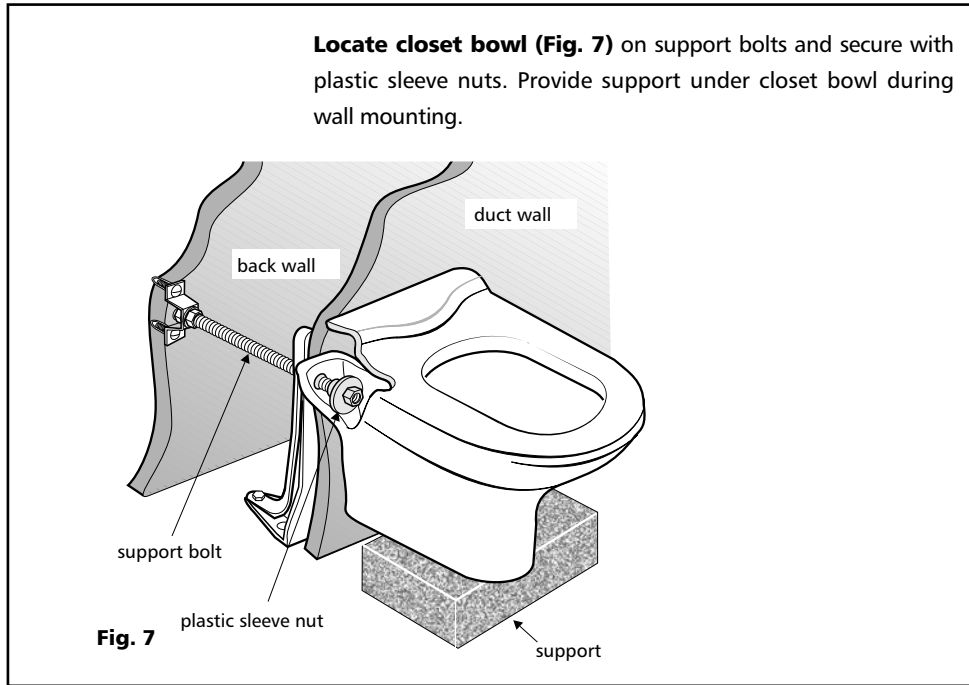
The support brackets must be fixed to the floor behind the duct wall with 10mm rawl bolts or similar (not supplied).

WOOD FLOORS (Fig. 4)

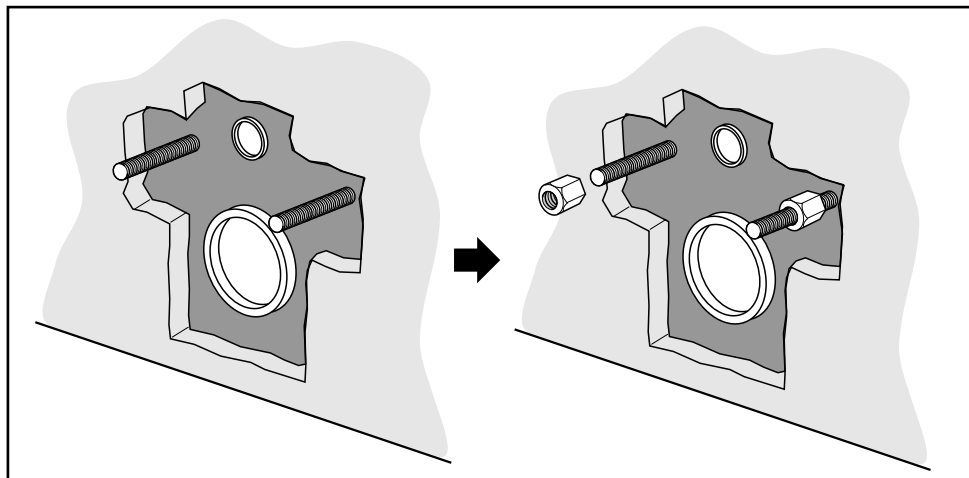
Additional strengthening may be necessary. Locate steel plates supplied under floor and fix support brackets to floor with M10 x 65 long square neck dome head screws, nuts and washers (supplied).







ALTERNATIVE CLOSET FIXINGS - partially tiled wall



ALTERNATIVE CLOSET FIXINGS - fully tiled wall

