

WOODEN PANELS

18. Wooden panels can be supported on battens or blocks attached to the bath frame. Battens are also required for the base of panels and should be screwed to the floor.

Screw wooden panels to battens and blocks and cover screw heads with screw caps (not supplied). Installation details for fixing wooden panels to the bath are supplied with the panels.

Note: The Plaza bath wooden panel is supplied ready primed on the front surface only. Bathroom paint is required to seal the front and edges of the panel prior to installation.

The Bathroom Works
National Avenue
Kingston upon Hull
HU5 4HS
England

CUSTOMER CARE HELPLINE

0870 1296085

CUSTOMER CARE FAX LINE 01482 499611

email: ukcustcare@IdealStandard.com

We pursue a policy of continuing improvement in design and performance of our products.

The right is, therefore, reserved to vary specifications without notice.

Ideal Standard (UK) Ltd.

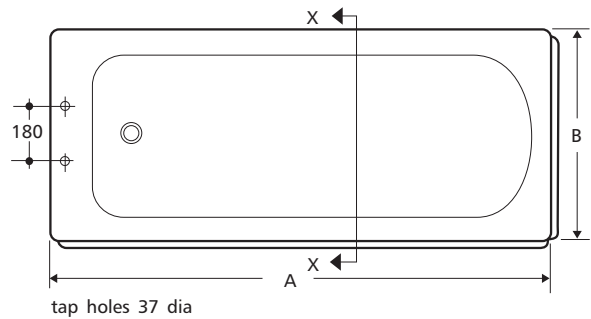
4025 10/08
EE72528467

IDEALFORM ACRYLIC BATHS

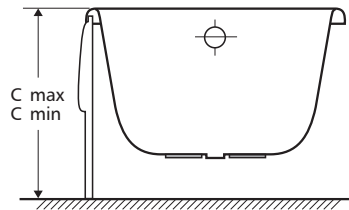


Installation Instruction

TECHNICAL INFORMATION



tap holes 37 dia



Section X - X
Fig. 1

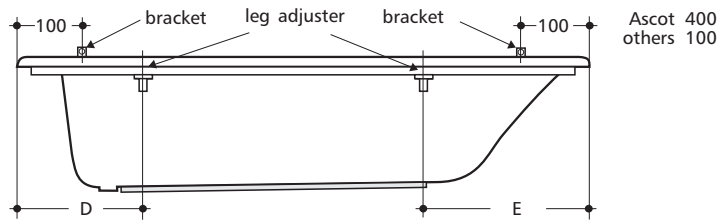


Fig. 2 centres of leg adjusters

All dimensions shown in millimetres.
Dimensions shown may vary within permitted tolerances.

Special Note :
Chloe : Suitable for monoblock tap units only (corner fixing)

BATH CONDITION

Before commencing installation, carefully remove packaging/protective film and check for damage. If damaged, report immediately to supplier.

The bath should be fully protected during the installation process.

Fig. 1 illustrates baths fitted with rigid panels (except baths with wooden panel option. - see Installation Instructions supplied with wooden panels).

Appropriate safety equipment/workwear should be used

PANEL TYPE 'B'

End panels must be fitted before front panels. Hercules 800 end panels will need to be trimmed if fitting to 750mm wide baths.

(See Fig. 8 for abutment cut out).

Universal 2 front panel may be installed with feature line at top or bottom. Hercules front panel to be installed with feature line closest to the floor.

Ensure that the bath is fitted and levelled to the correct height (see table), measured from the floor to the top of the bath roll.

Drop a plumbline from the corner of the bath and mark the floor corresponding to the outline of the bath.

From this line measure back:

1. 8mm for the Universal front panels
2. 12mm for Hercules front panels
3. 40mm Jasper Morrison front panel
16mm Jasper Morrison end panel

Screw retaining clips, evenly spaced onto the wooden frame behind the bath roll.

Insert top of the end panel between the bath roll and retaining clips and push the bottom of the panel against the batten, Fig. 9. Repeat procedure for the front panel.

When both panels are correctly positioned, in relation to the bath's corners, secure panels to battens.

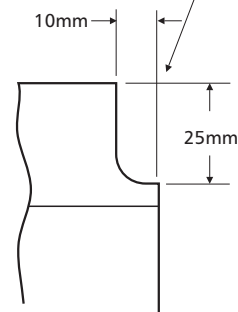
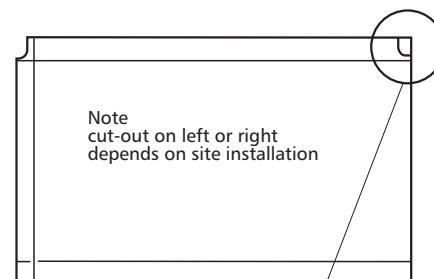


Fig. 8

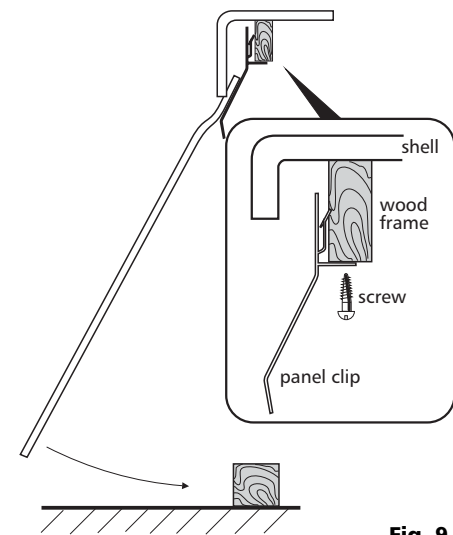


Fig. 9

TYPE 'B' PANELS

15. FIT PANEL(S)

Refer to Table 1 for panel type

PANEL TYPE 'A'
UNILINE PANELS

16. Fit panel(s)

Attach the lengths of PVC cushioning strip to the top edge(s) of the panel(s) (three on the front panel and two on the end). Fit

panel(s) (end panel first where appropriate) by pushing the top edge under the bath rim, Fig. 7.

17. Panels can be reduced in height by cutting a strip from the bottom edge, for heights see Fig. 1. Timber floor battens are not supplied but are necessary to secure the panels. Screw battens to the floor.

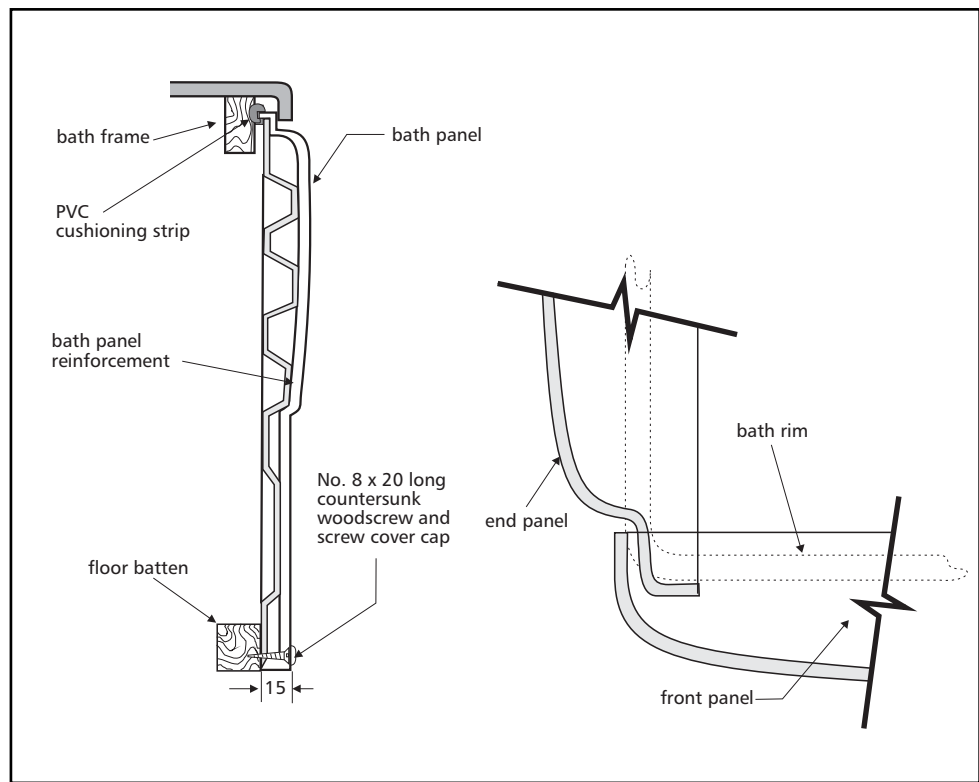


Fig. 7 TYPE 'A' PANELS

TABLE 1

	A	B	C	Max	C	Min	D	E	Water capacity to overflow (A or B) ltrs	Panel Type (A or B)
Alto 70	1695	695	550	520	390	495	175	A		
Alto 75	1695	745	550	520	390	495	195	A		
Alto Double	1695	745	550	520	440	440	200	A		
Alto W.S. 70	1695	695	550	520	390	495	149	A		
Aqua Duo	1800	800	595	565	450	450	262	B		
Ascania	1690	700	530	500	400	500	195	B		
Ascot	1695	745	543	543	390	590	207	A		
Baronet	1695	695	540	520	370	495	190	A		
Cadet 150	1495	697	380	380	350	500	186	B		
Camargue	1690	690	530	500	420	470	195	B		
Cameo 150	1490	695	530	500	350	500	180	B		
Cameo 170	1690	700	530	500	350	500	209	B		
Chloé	1695	695	540	480	350	575	176	A		
Concept 150	1495	695	540	500	390	450	149	B		
Concept 170	1695	695	540	500	390	450	174	B		
Concept 170 x 75	1695	745	540	500	390	460	192	B		
Concept 170 x 75DE	1695	745	540	500	470	470	174	B		
Cottage	1690	700	530	500	370	500	180	B		
County	1790	795	530	500	500	500	218	-		
Create 70	1695	695	540	520	400	500	190	A		
Create 75	1695	745	540	520	390	430	208	A		
Elmdale 150	1500	700	520	545	400	450	158	B		
Elmdale 170	1700	700	520	545	400	550	192	B		
Envoy	1685	700	530	500	370	420	191	B		
Halo	1685	695	530	500	400	470	175	B		
Harrow	1695	695	540	500	370	495	190	A		
Jasper Morrison	1695	695	595	565	450	450	230	B		
Kyomi 180	1795	795	540	500	410	535	185	A		
Lexington	1690	795	530	500	350	500	186	B		
Lichfield/Shetland	1690	690	530	500	350	530	190	B		
Linda 180	1790	795	540	515	535	535	225	A		
Monaco	1680	690	530	500	420	470	191	B		
Montana	1690	690	530	500	350	470	209	B		
Newson	1795	795	585	565	460	460	200	B		
Plaza	1695	695	540	500	370	495	190	A		
Purity	1695	695	540	500	435	495	207	A		
Sandringham 150	1485	692	530	500	370	400	160	B		
Sandringham 170	1680	690	530	500	420	470	200	B		
Sandringham W.S.	1680	690	530	500	420	470	149	B		
Select	1685	690	530	500	380	380	179	B		
Seville	1690	690	530	500	420	470	195	B		
Sophie	1495	695	540	500	390	495	190	A		
Studio 150	1495	695	540	480	365	530	162	A		
Studio 170	1695	695	540	480	365	530	185	A		
Studio Extra	1695	745	540	480	365	530	203	A		
Tiffany	1690	690	530	500	370	450	160	B		
Tonic 170	1700	800	595	565	450	630	203	B		
Tonic 180	1800	800	595	565	450	630	220	B		
Westside	1680	690	530	500	420	470	191	B		
Washpoint 70	1695	695	550	520	420	520	200	A		
Washpoint 75	1695	745	580	560	420	520	215	A		
Washpoint Double	1695	745	550	520	440	440	200	A		

INSTALLATION

1. Lay bath face down and remove legs and bags containing feet etc. (Note: Tonic legs feet and waste are boxed separately.)

The 4 black - No. 8 x 40 long countersunk crosshead self tapping screws removed from the bath are NOT REQUIRED.

2. Locate leg adjusters on bath frame and mark positions for the fixing screws. **Note:** If fitting wooden panels, locate outside face of leg adjuster flush with outside face of frame. Pilot drill the holes in the bath frame and fix leg adjusters to frame.

3. Locate bath legs in leg adjusters and mark positions for the fixing screws on the base board. Pilot drill the holes in the base board, to a depth of 6mm maximum. Position legs in leg adjusters and on base board and secure. Locate No. 8 x 12 long pan head self tapping screw into leg adjuster and tighten.

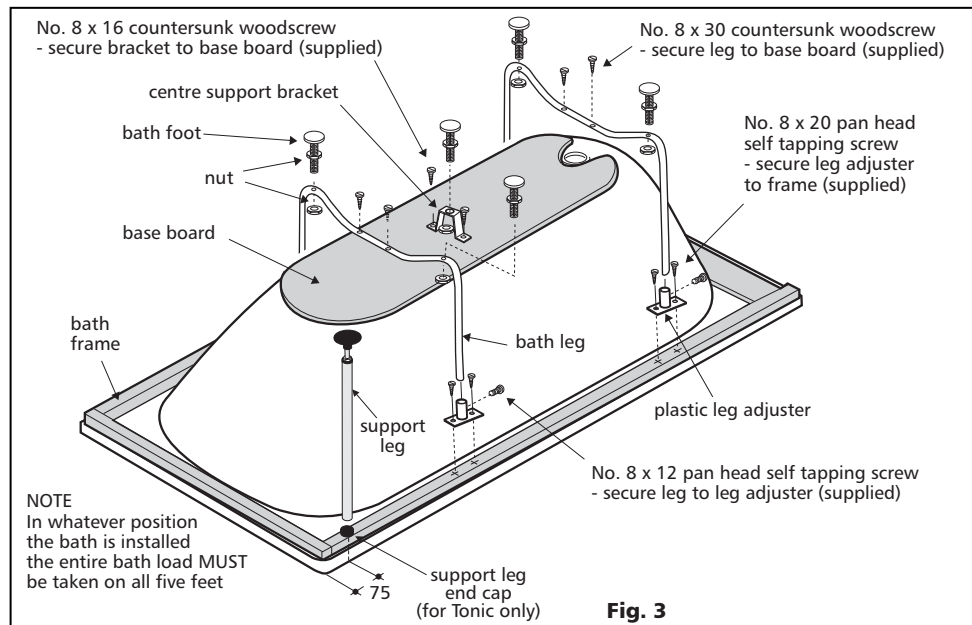
DO NOT OVER TIGHTEN.

4. Locate centre support bracket, mark screw hole positions, pilot drill holes in base board, to a depth of 6mm maximum, and secure bracket.

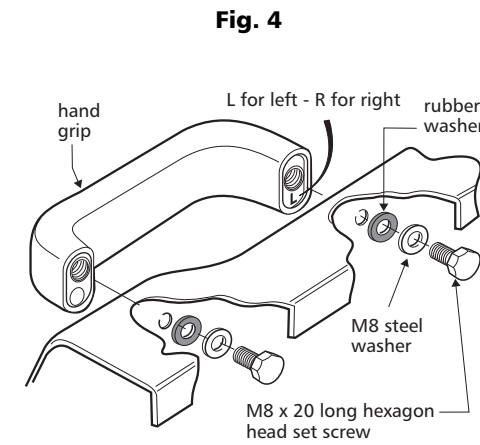
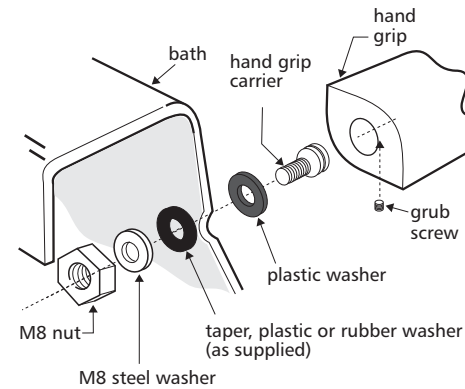
5. Fix the feet and adjust to give approximate floor to top of rim height required.

6. Tonic Only. Fit support leg end cap to front member of wooden frame in position shown (Fig. 3).

7. Fit supply and waste fittings. If the bath is to be installed with a monoblock mixer a special hole (or holes) is required to accommodate the mixer and will have to be cut by the installer in an appropriate position on the rim of a no tap hole bath to suit the bathroom layout. Full details or a template for cutting the hole (or holes) is supplied with monoblock fittings. A template for cutting two tap holes in a no tap hole bath is supplied with the bath. Cut tap holes, and fit supply fittings, waste, overflow and trap. When using a monoblock fitting, the area directly behind the pop-up waste mechanism should be avoided.



8. Fit hand grips (where supplied) See Figs. 4 & 5. Use appropriate mounting method.



9. Fix the two wall fixing brackets to bath frame as indicated in Fig. 6. Pilot drill holes in frame before fixing brackets.

10. Fix bath to wall (Fig. 6)

11. Fix bath to floor and ensure that all nuts are tight.

12. (Tonic only) Fit support leg and adjust foot to correct height. (Do not force the rim upwards). The foot can be screwed to the floor for extra stability if required.

13. Connect services, test for satisfactory operation of fittings and ensure there are no leaks.

14. Tile down to the height of the bath rim leaving a 3-4mm gap for waterproof sealant, see Fig. 6. An extruded sealing strip can be used for the bath to wall joint as an alternative to waterproof sealant. Protect bath during tiling.

WARNING
DO NOT fix hand grips in any oil based bedding compound or putty.
These materials contain solvents which will damage the hand grips irreparably.

