

# **WALL MOUNTED BIDET**

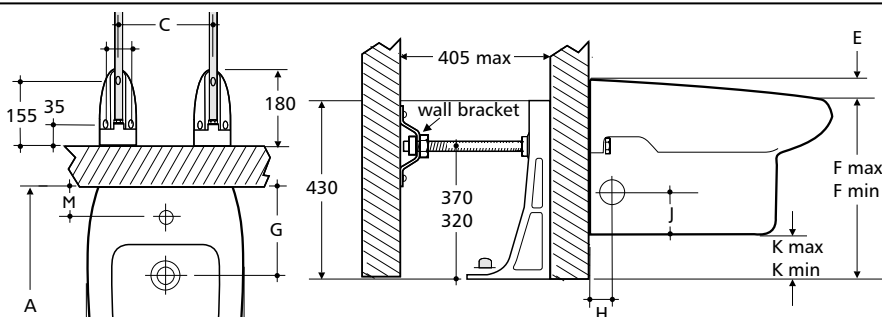
---



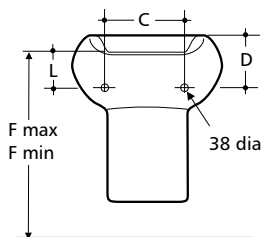
## **Installation Instruction**

---

# TECHNICAL INFORMATION



**Fig. 1**



**Fig. 2 position and size of holes in duct wall for support bolts**

All dimensions shown in millimetres.  
Dimensions shown may vary within permitted tolerances.

	A	B	C	D	E	F min	F max	G	H	J	K min	K max	L	M
Accent	600	375	230	123	38	400	450	217	53	135	45	95	85	70
Belvedere	660	405	230	180	100	400	450	215	35	155	50	100	80	-
Cassara	600	360	230	98	-	420	470	250	-	-	70	120	98	95
Celia	570	360	180	80	-	395	445	210	-	-	65	115	80	60
Concept	540	360	180	80	5	395	445	220	-	-	100	150	75	58
Cresta	600	400	180	135	55	400	400	210	-	-	50	50	80	80
Delineo	515	365	180	80	-	400	450	210	-	-	120	170	80	65
Manta	625	400	185	85	-	405	455	225	40	130	50	100	85	90
Meridian	575	400	230	90	15	395	445	200	-	-	45	95	90	65
Moments	580	345	180	80	-	400	450	220	-	-	70	120	80	55
Newson	565	380	180	110	-	430	480	285	-	-	60	110	-	125
Purity	565	380	180	125	45	425	475	220	-	-	70	120	80	75
Small+	515	370	180	100	-	420	470	240	-	-	50	100	100	103
Twenty 20	580	410	180	80	-	400	450	265	40	140	60	110	-	90
Tonic	545	360	180	80	-	400	450	220	-	-	60	110	80	56
Washpoint	525	364	180	80	-	400	450	205	-	-	60	110	80	65
White	530	380	180	80	-	400	450	205	-	-	100	150	80	60

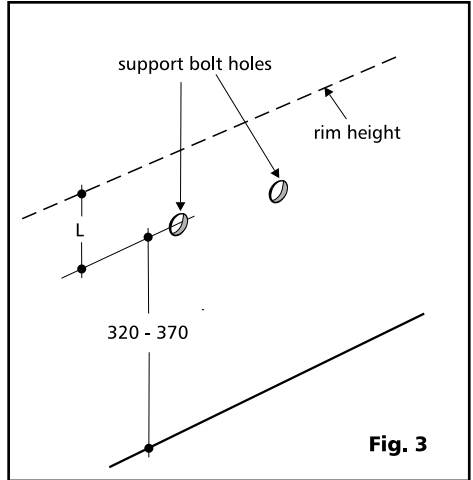
# INSTALLATION

The wall mounted bidets are designed for a ducted installation and are secured to the duct wall and floor with concealed brackets.

**The support brackets** are supplied with extended support bolts and wall brackets (which can be used to secure the support brackets) (Figs. 1 & 5) which can be used to secure the support brackets to the back wall of the duct. If the support bolts are not used to fix the support brackets to the back wall they can be reduced in length to suit the installation.

**An access panel in the duct or some other form of access should be provided for maintenance purposes.**

**The wall mounted bidet** can be installed with the rim height as indicated in Fig. 1. Decide on rim height and mark on the wall. Rim height is from 320 to 370mm plus dimension L. Cut 38mm holes for two support bolts.



**Fig. 3**

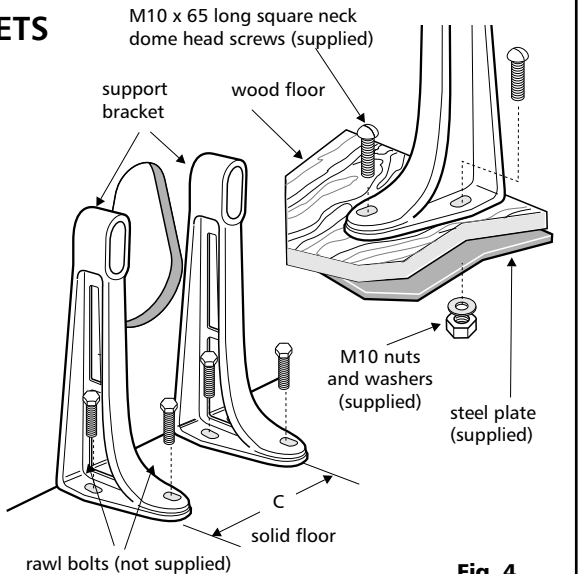
## FLOOR SUPPORT BRACKETS

### SOLID FLOORS (Fig. 4)

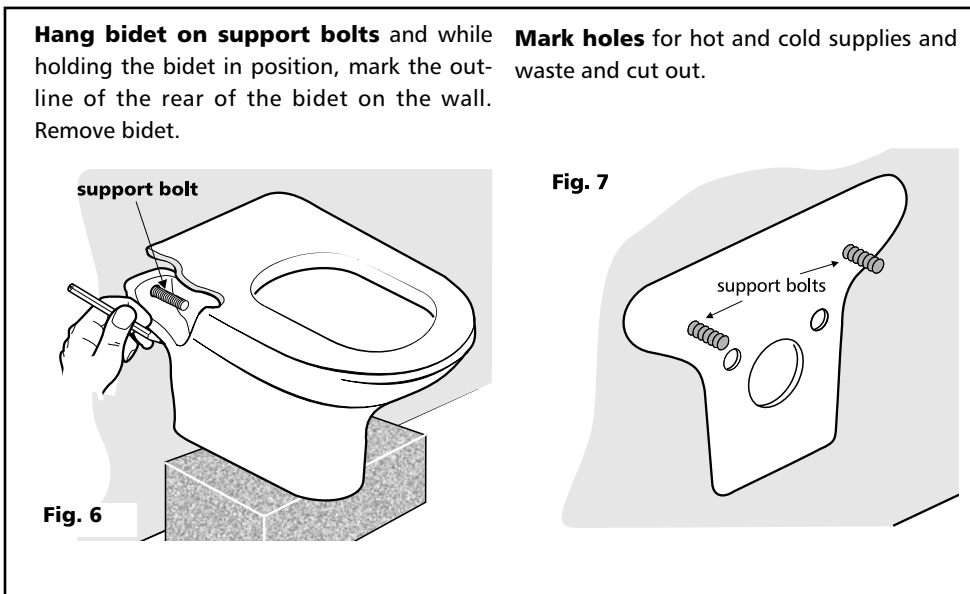
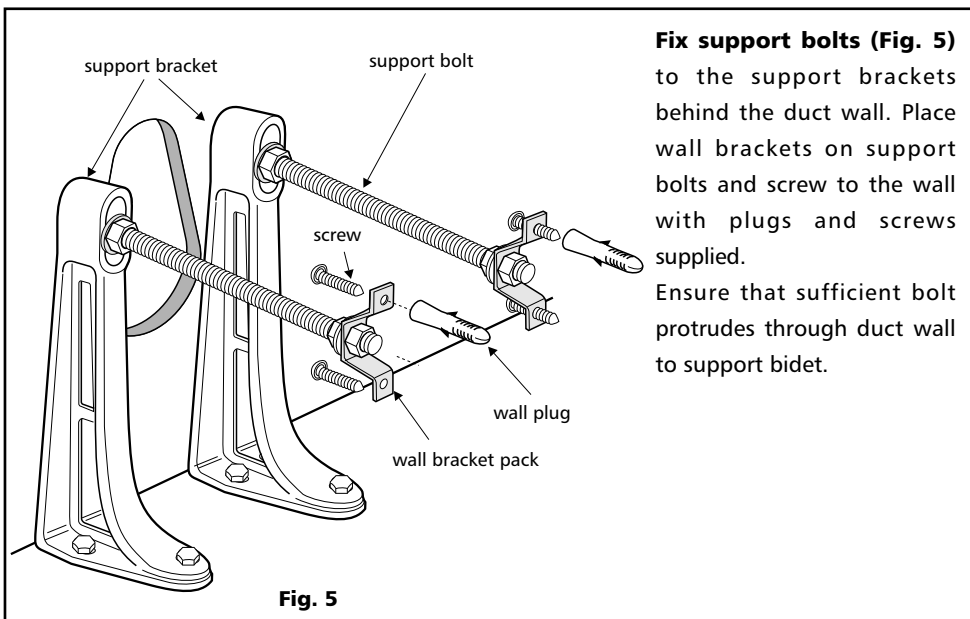
The support brackets must be fixed to the floor behind the duct wall with 10mm rawl bolts or similar (not supplied).

### WOOD FLOORS (Fig. 4)

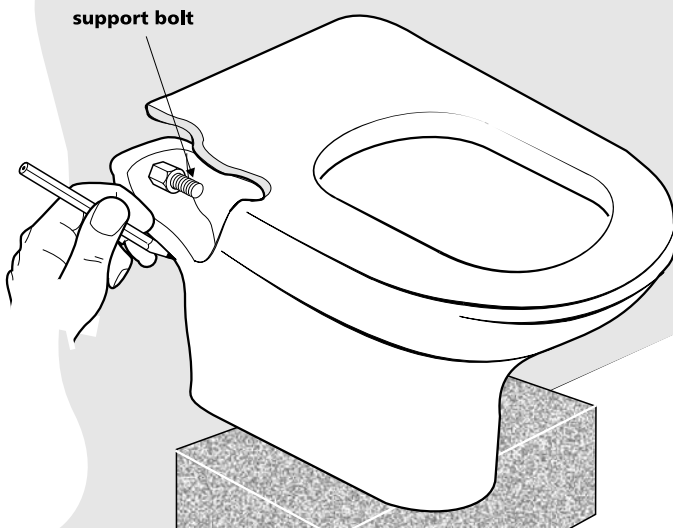
Additional strengthening may be necessary. Locate steel plates supplied under floor and fix support brackets to floor with M10 x 65 long square neck dome head screws, nuts and washers (supplied).



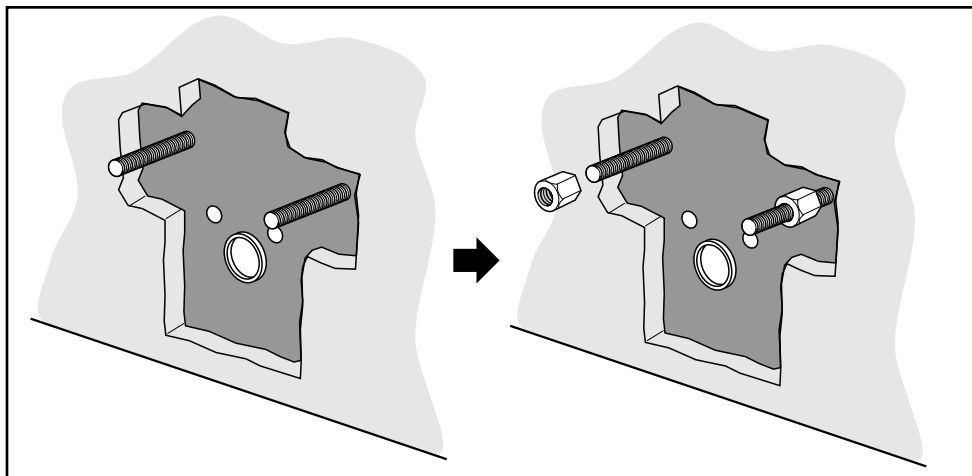
**Fig. 4**

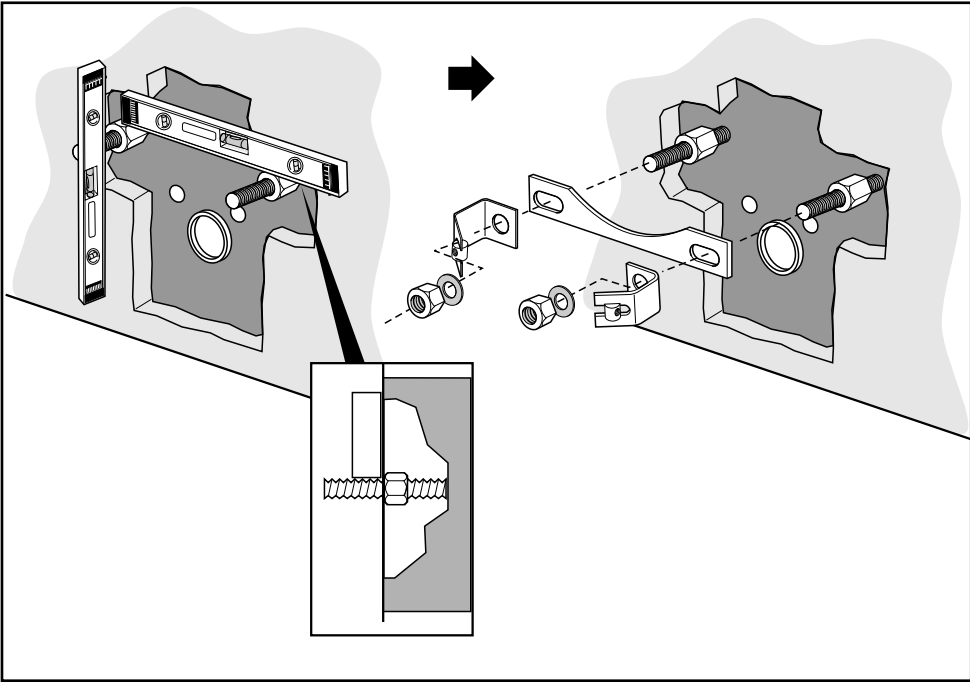


**Locate bidet**, with fittings, waste and trap assembled, on support bolts and secure with plastic sleeve nuts. Provide support under bidet during wall mounting. Care must be taken to ensure that the pop-up waste is correctly set as no adjustments can be made after the bidet is mounted. Make water and waste connections and test.

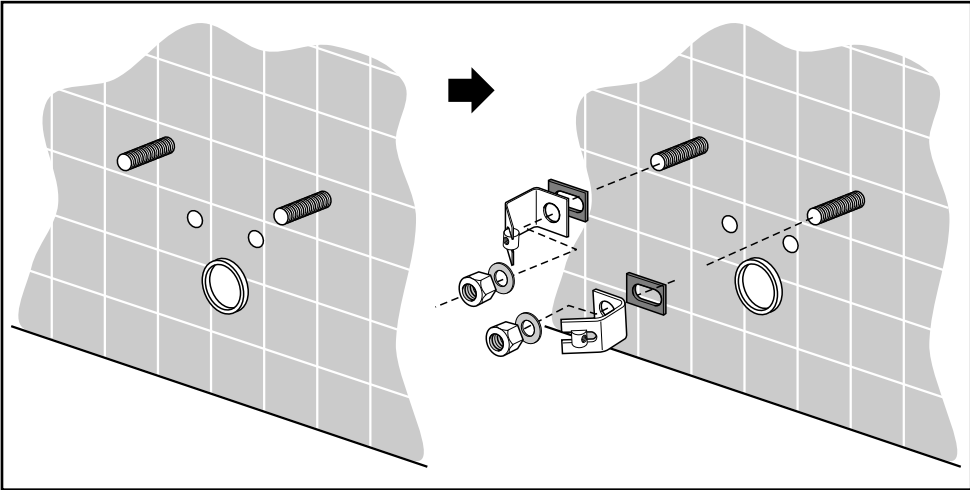


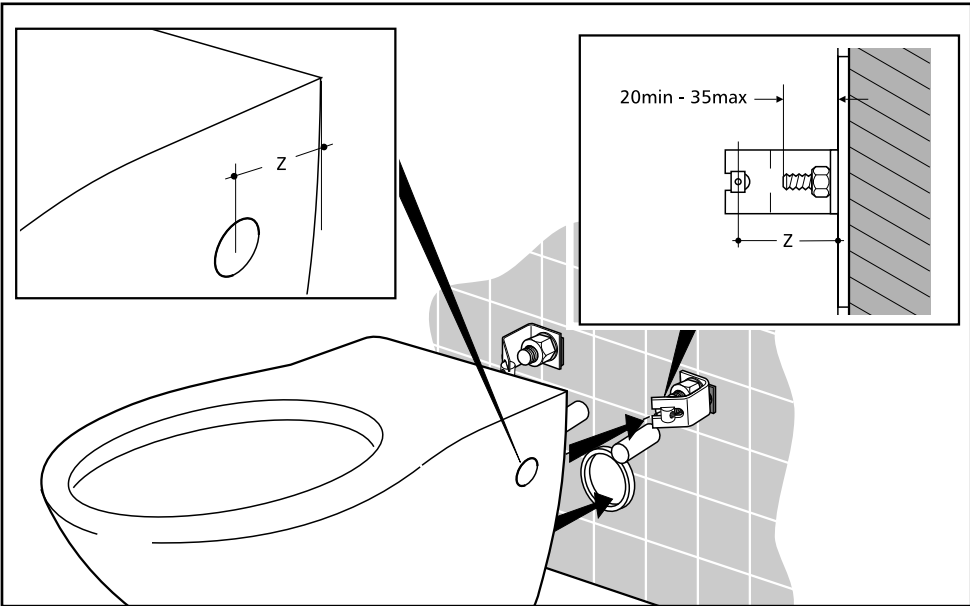
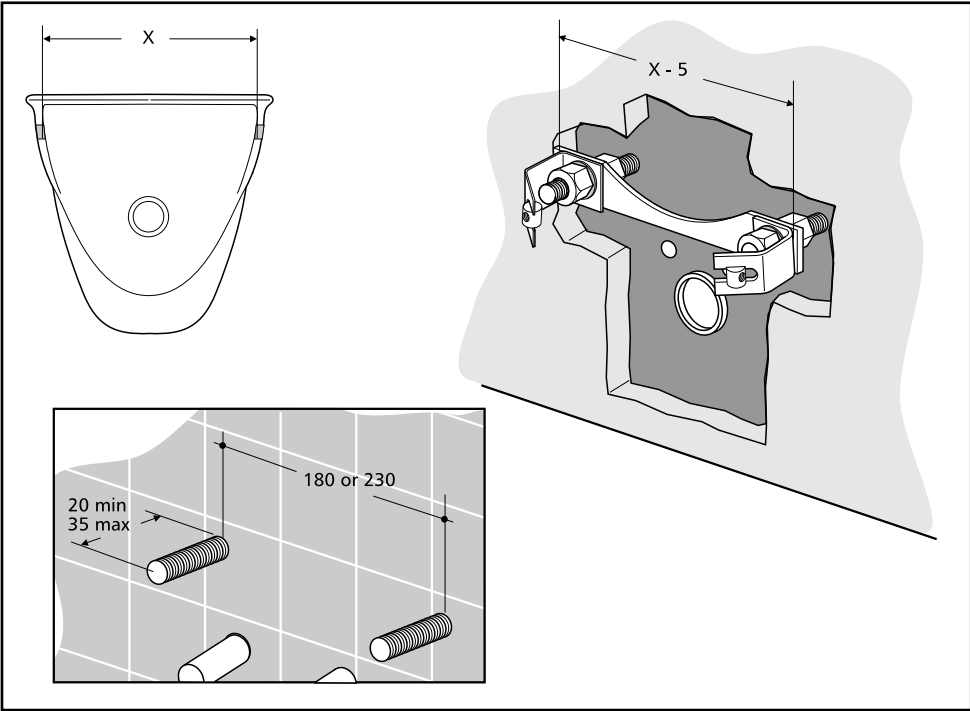
### ALTERNATIVE BIDET FIXINGS - partially tiled wall

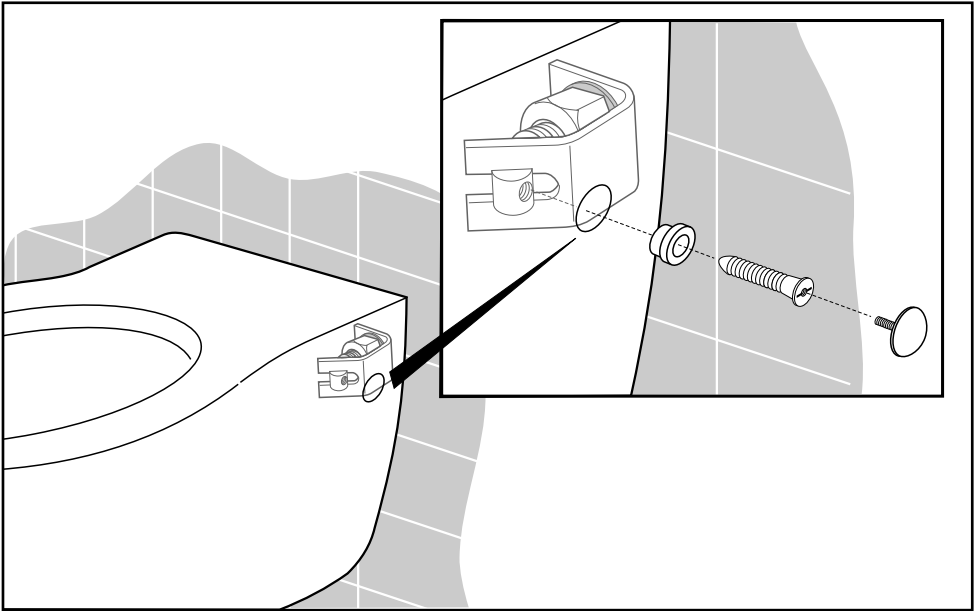




**ALTERNATIVE BIDET FIXINGS - fully tiled wall**







**CUSTOMER CARE HELPLINE**  
**0870 1296085**  
**FAX LINE 01482 499611**  
**e mail : [ukcustcare@IdealStandard.com](mailto:ukcustcare@IdealStandard.com)**

---

We pursue a policy of continuing improvement in design and performance of our products.  
The right is, therefore, reserved to vary specifications without notice.